

voran[®]

machinery

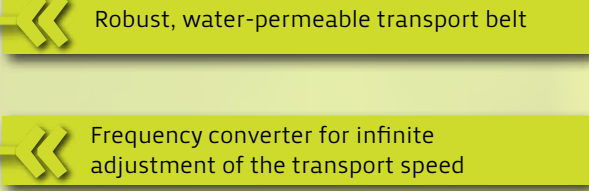
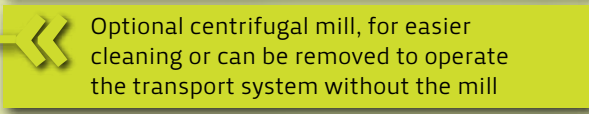
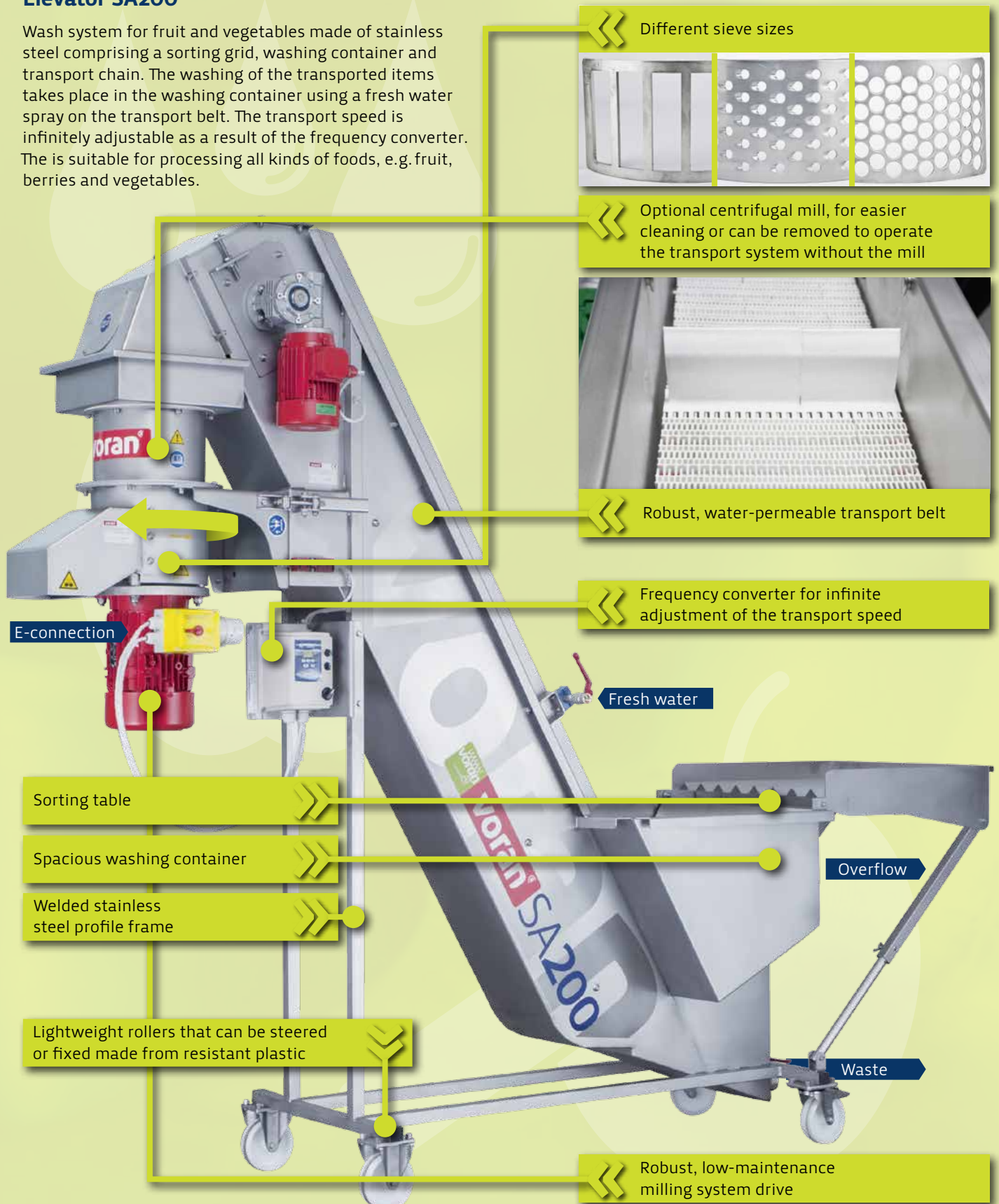
Elevators SA200/SA400



Clean and gentle

Elevator SA200

Wash system for fruit and vegetables made of stainless steel comprising a sorting grid, washing container and transport chain. The washing of the transported items takes place in the washing container using a fresh water spray on the transport belt. The transport speed is infinitely adjustable as a result of the frequency converter. The is suitable for processing all kinds of foods, e.g. fruit, berries and vegetables.



E-connection

Fresh water

Sorting table

Spacious washing container

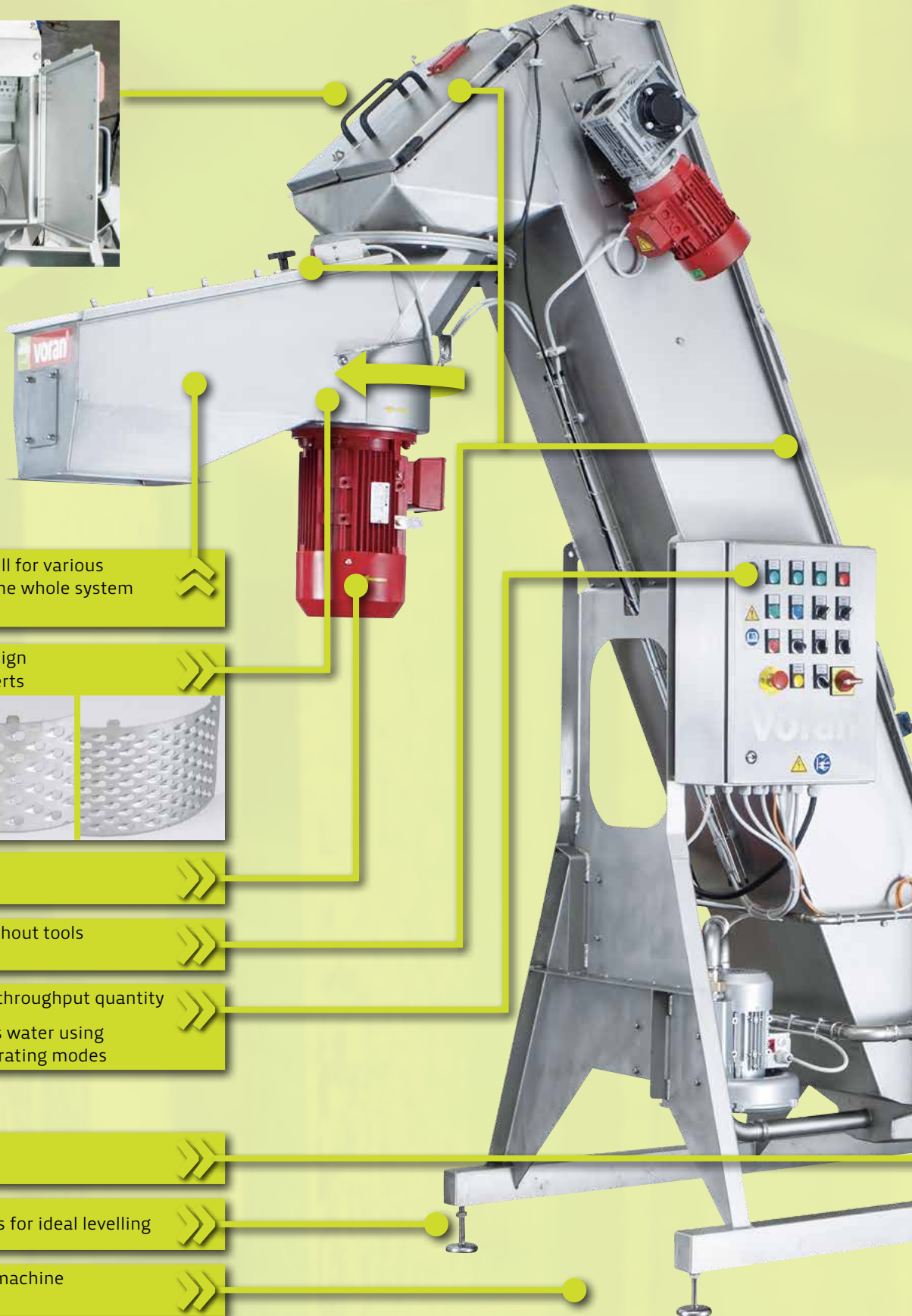
Welded stainless steel profile frame

Lightweight rollers that can be steered or fixed made from resistant plastic

Overflow

Waste

Robust, low-maintenance milling system drive



Removable centrifugal mill for various arrangement options in the whole system and for simpler cleaning

Simple, easy-to-clean design with affordable sieve inserts



Simple, robust drive

Covers can be opened without tools for simple cleaning

Infinite regulation of the throughput quantity

Fresh water shower saves water using selectable intelligent operating modes

Removable sieve baskets

Adjustable machine bases for ideal levelling

The floor area under the machine can be cleaned easily.

Strong and fast

Wash
Chop



SA series
WALC40
WAR65

Press



EBP series
EP series

Pasteurise



PA series

Elevator SA400-RM40

With the SA400-RM40 we offer a perfectly matched and strong combination of a wash and grinding system. The combined washing system on the one hand cleans using air blown from water stored below and on the other by using flowing cutters. The fresh air blown from the water keeps the fruit in constant movement. The contact cleans the fruit as they hit each other in the flowing water.

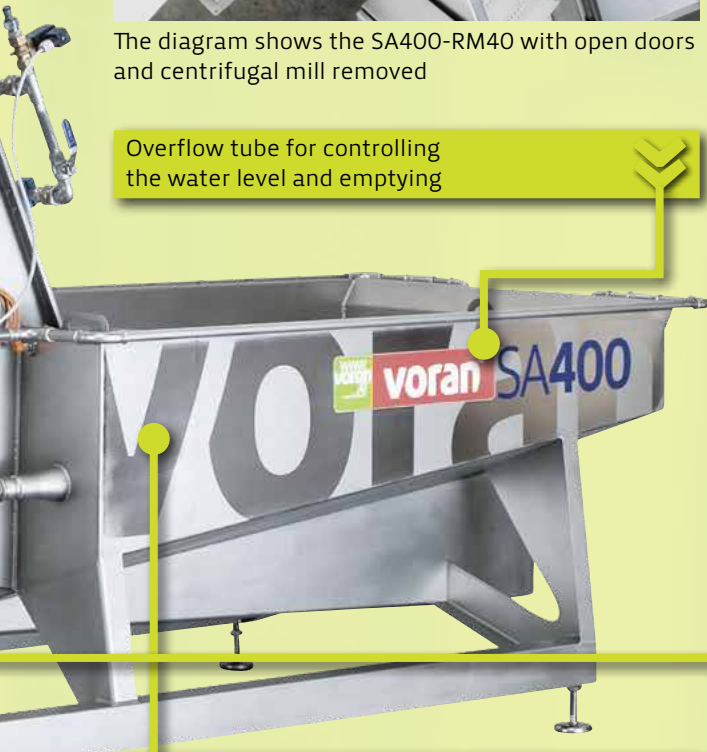
This flow of water on the grinding system affects the opposite cutting edges and thus removes swimming foreign bodies that are then collected in the capture baskets. These can be removed without tools and during operation. The flow system also allows the water container to be emptied completely, down to the last fruit.

- Saves water through selectable operating mode of the fresh water jets
- Overflow monitoring
- Mill can be tilted by 180° without tools
- Covers can be opened without tools for simple cleaning
- High-pressure cleaner connection for cleaning the link conveyor



The diagram shows the SA400-RM40 with open doors and centrifugal mill removed

Overflow tube for controlling the water level and emptying

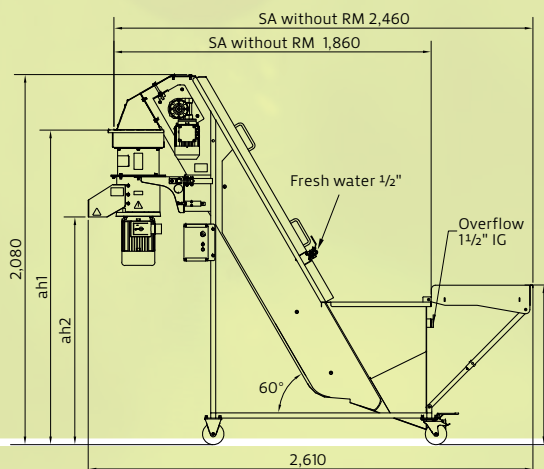


Recirculating flow system for transporting fruit continuously out of the washing container



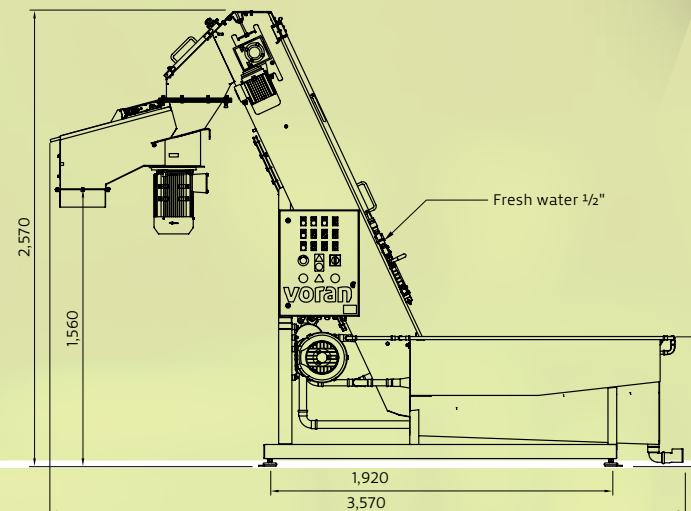
Technical data

SA200



Scale drawing shows SA200 with optional centrifugal mill RM2,2

SA400-RM40



Type	SA200	SA200-RM2,2	SA400-RM40
Belt width in mm	230	230	400
Nominal output in kg/h	1,000	1,000	3,000
Drive power /mill in kW	0,37	0.37/ 2.2	0.55 / 4
Total connection output in kW	0,37	2.47	6.2
Electrical connection*	230V/ 50Hz (single phase, 16 A)	400V / 50Hz (three-phase, 16 A)	400V/ 50Hz (three-phase, 16 A, neutral line required)
Dimensions length/width/height in mm	2,463 / 700 / 2,080	2,460 / 700 / 2,080	3,570 / 980 / 2,570
Weight in kg (dry)	150	150 + 32 (mill)	450
Fruit feed height in mm	840	840	730
Mash delivery height (ah)	ah1=1,750	ah2 = 1,340	1,560
Complies with EC 1935/2004	✓	✓	✓
Connection for cleaning	-	G1/2" male thread	HD M22x1.5 oder G1/2" male thread
Fresh water connection	1/2" female thread	1/2" female thread	1/2" female thread
Connection for waste water and overflow	1 1/2" female thread	1 1/2" female thread	DN50/75

* Other voltages and net specifications on request

voran.at

voran business lines

- machines**
- machine construction**
- plant construction**
- facades**

How to find us



voran Maschinen GmbH
 Sales
 Linzer Strasse 30
 A 4650 Edt bei Lambach
 T +43(0)72 49 / 444-0
 F +43(0)72 49 / 444-888
 office@voran.at
 www.voran.at

Production
 Inn 7
 A 4632 Pichl bei Wels

Service hotline
 T +43(0)72 49 / 444-200